

SRS Circular Column Formwork

For perfect concrete surfaces

Product Brochure – Issue 11/2023



Content

- 5 SRS Circular Column Formwork**
with high production quality for
perfect concrete surfaces
- 6 Variable**
Column diameters in 5 cm increments
- 7 Two-piece**
Fast assembly with only two column
halves and integrated spanner
- 8 Extendable**
Four panel heights for height adjustments
in 30 cm increments
- 9 Site-compliant details**
Safe and fast for perfect circular
concrete columns

Issue 11/2023

Publisher

PERI AG
Formwork Scaffolding Engineering
Rudolf-Diesel-Strasse 19
89264 Weissenhorn
Germany
info@peri.com
www.peri.com

Important information

All current safety regulations and guidelines applicable in those countries where our products are used must be observed.

The photos shown in this brochure feature construction sites in progress. For this reason, safety and anchor details in particular cannot always be considered as conclusive or final. These are subject to the risk assessment carried out by the contractor.

In addition, computer graphics are used, which are to be understood as system representations. To ensure a better understanding, these and the detailed illustrations shown have been partially

reduced to focus on certain aspects. Some safety installations may not have been shown in these detailed descriptions but must nevertheless still be available. The systems or items shown might not be available in every country.

Safety instructions and load specifications are to be strictly observed at all times. Separate structural calculations are required for any deviations from the standard design data.

The information contained herein is subject to technical changes in the interests of progress. Errors and typographical mistakes reserved.



SRS Circular Column Formwork

High production quality for ensuring perfect concrete surfaces

As formwork for circular columns, PERI SRS prevents the freshly poured concrete from escaping thanks to the special design of the panel joints which results in the realization of perfect concrete surfaces. The SRS column formwork has been designed for a very high fresh concrete pressure of 150 kN/m² which allows fast concreting to take place. The high quality powder coating prevents concrete adhesion and reduces cleaning requirements.

- **Variable**

Column cross-sections in 5 cm increments from 25 to 70 cm, other dimensions on request.

- **Two-piece**

Fast assembly with only two column halves and integrated spanner.

- **Extendable**

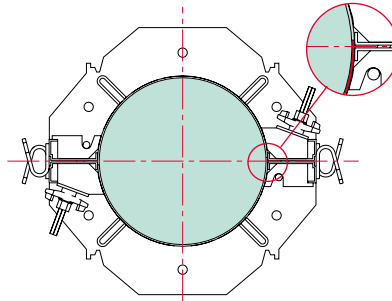
Four element heights allow optimal height adjustments in 30 cm increments.



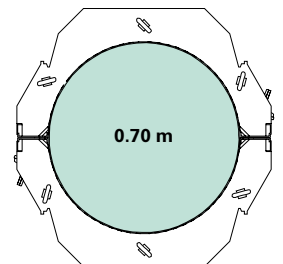
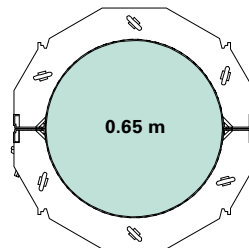
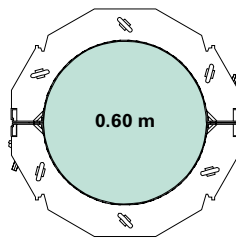
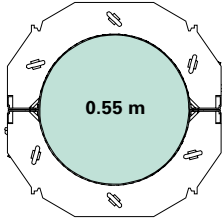
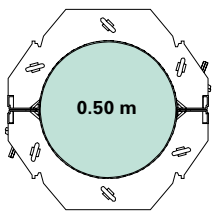
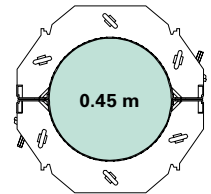
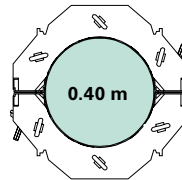
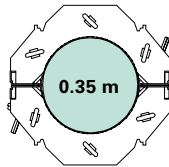
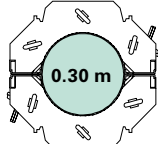
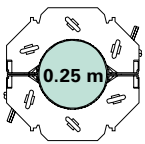
Variable

Column diameters in 5 cm increments

With SRS, column diameters from 25 cm to 70 cm can be formed in 5 cm increments. On request, special dimensions up to a diameter of 120 cm are available. The formlining overlap at the joint between the two halves of the formwork ensures tight element joints and prevents bleeding of the concrete.



The formlining overlaps at the position where the two column halves meet. This means that the joints are very tight thus preventing any bleeding of the concrete.

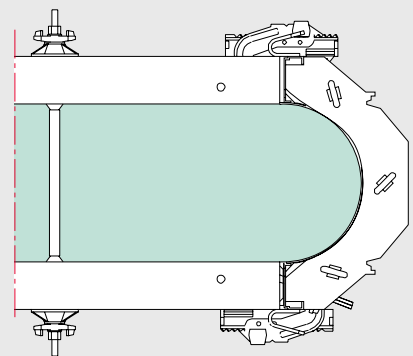


Using SRS for connecting to panel formwork.

With the PERI BFD Alignment Coupler and the Circular Column Adapter Strip, the SRS column halves can be connected to TRIO and MAXIMO panel formwork as well as to RUNDIFLEX circular formwork. The number of BFD alignment couplers used when connecting to panel formwork corresponds to the number of tie yokes.



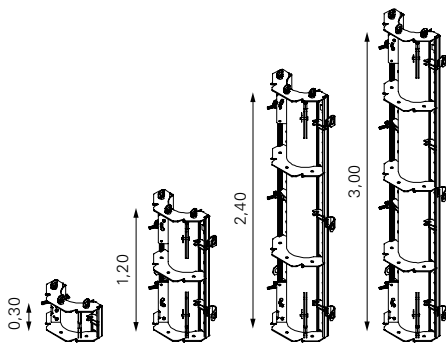
The TRIO Circular Column Adapter Strip is required only on the side with the formlining offset and replaces a 10 mm thick baton.



Two-piece

Fast assembly with only two column halves and integrated spanner

The SRS column formwork consists of two formwork halves which are braced together. The spanners allow shuttering without any special tools, only a hammer is required.



The four element heights (3.00 m, 2.40 m, 1.20 m and 0.30 m) provide ideal height adjustments.



The tie yokes with self-cleaning hexagonal thread are permanently connected to the panel and cannot be lost.



A push-pull prop connection is available on each column panel.

Extendable

Four element heights for height adjustments in 30 cm increments

With four panel heights (3.00 m, 2.40 m, 1.20 m and 0.30 m), an optimal height adjustment in 30-cm increments is feasible – up to 8.40 m depending on the column diameter. Height extensions are carried out using ring bolts which are fixed to the panels. Assembly is simple and the ring bolts also serve as crane suspension.

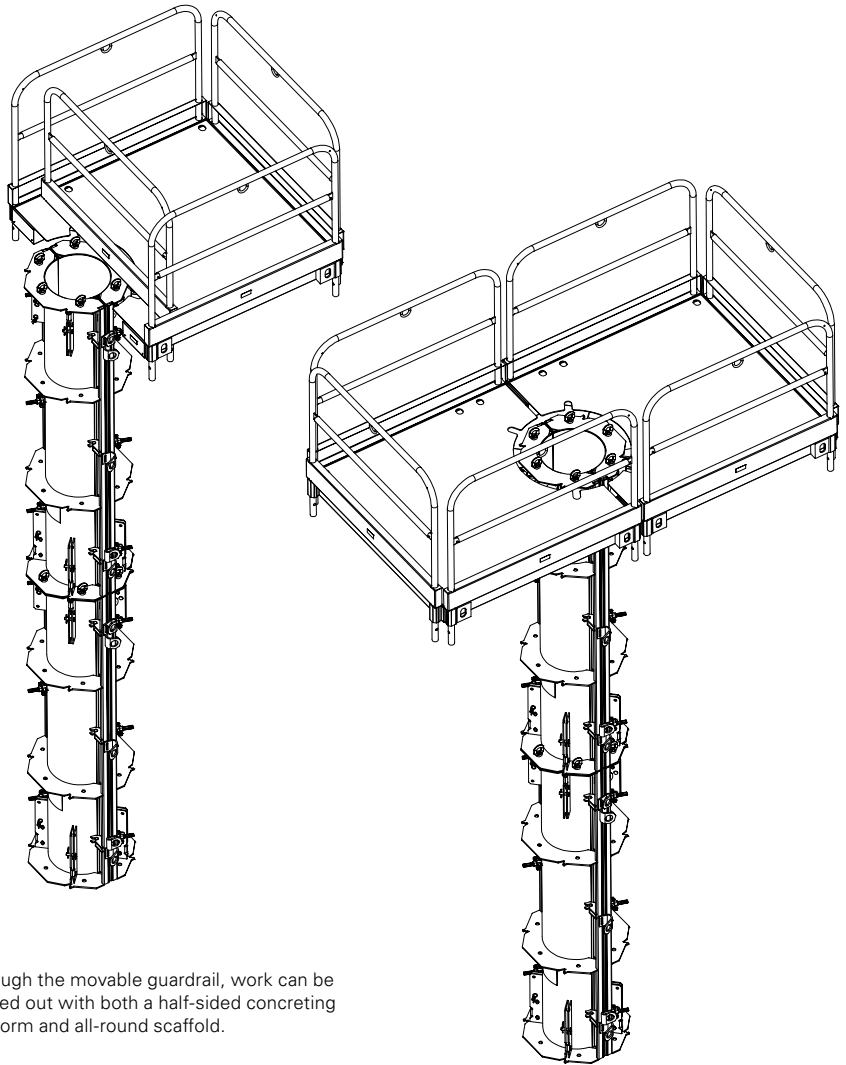
The ring bolts used for extensions are available on each panel. When extending, only a hammer is required.



Site-compliant details

Safe and fast for perfect circular concrete columns

Matching concreting platforms and access ladders provide safe working conditions at all heights and for any cross-section. Thanks to the low weight of the SRS circular column platform, assembly can be carried out by hand.



By means of a captive bolt, the telescopic supporting struts of the concreting platform can be adjusted very quickly to suit all column diameters.

Through the movable guardrail, work can be carried out with both a half-sided concreting platform and all-round scaffold.

The ring bolt is used to release the two halves of the column - only a hammer is required. This facilitates fast and easy striking.

Integrated stacking aids on the column panels provide safe, non-slip stacks of units. This reduces storage area requirements.

The crane eyes on the column halves serve to ensure easy transportation by crane.



**The optimal System
for every Project and
every Requirement**



Wall Formwork



Column Formwork



Slab Formwork



Climbing Systems



Bridge Formwork



Tunnel Formwork



Shoring Systems



Construction Scaffold



Facade Scaffold



Industrial Scaffold



Access



Protection Scaffold



Safety Systems



**System-Independent
Accessories**



Services



PERI AG
Formwork Scaffolding Engineering
 Rudolf-Diesel-Strasse 19
 89264 Weissenhorn
 Germany
 Tel. +49 (0)7309.950-0
 Fax +49 (0)7309.951-0
 info@peri.com
 www.peri.com

